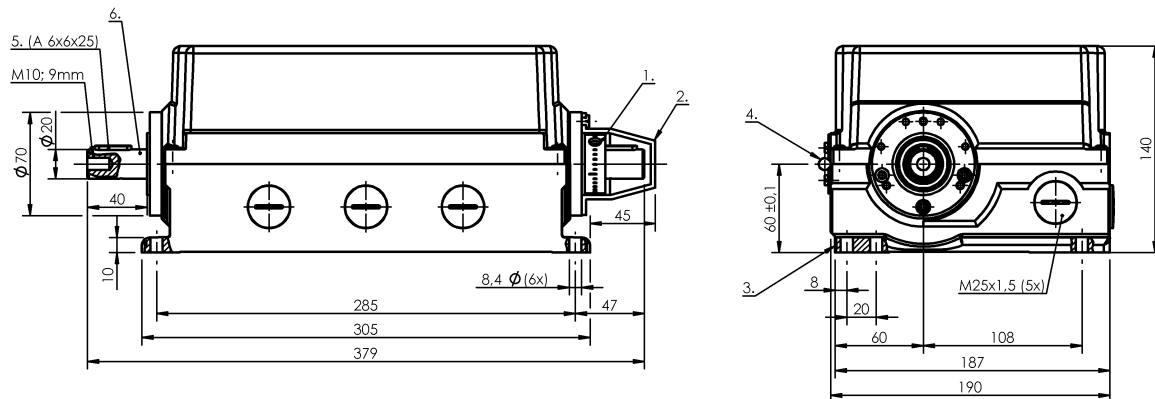


Rotary cam switches  
**BSW 819-494-WF-12L2**  
**Order Code: BSW002Z**

**BALLUFF**



1) Scale ring, 2) Cover, 3) Reference edge, 4) Hinge, 5) Feather key, 6) Drive left-side



**Basic features**

<b>Approval/Conformity</b>	CE UKCA CCC WEEE
<b>Basic standard</b>	IEC 60947-5-1 IEC 60947-5-2
<b>Operating principle</b>	1. Switch position: Mechanical
<b>Version</b>	Snap contact

**Electrical connection**

<b>Connection type</b>	1. Switch position: Cable fitting via threaded insert
------------------------	---

**Electrical data**

<b>Cable entries, number</b>	5 threaded exit M25
<b>Continuous current</b>	1-11. Switch position: 6 A 12. Switch position: 0.2 A
<b>Pulses per revolution</b>	30
<b>Rated operating voltage Ue</b>	1-11. Switch position: 500 V AC 12. Switch position: 24 V DC
<b>Speed max.</b>	200 1/min
<b>Speed monitor</b>	With loss of switch position

**Environmental conditions**

<b>Ambient temperature</b>	-5...80 °C
<b>IP rating</b>	IP65

**Functional safety**

<b>B10d (EN ISO 13849-1)</b>	BSE 67: 30 mil. switching cycles
<b>BG certified</b>	no
<b>MTTF (40 °C)</b>	Speed monitoring WF: 490 a

**Material**

<b>Housing material</b>	Aluminium, Anodized
<b>Housing material, surface protection</b>	Anodized
<b>Material contacts</b>	1-11. Switch position: Fine silver

**Mechanical data**

<b>Cam rings</b>	1-11. Switch position: 180° 12. Switch position: WF 30 teeth
<b>Cam rings can be secured</b>	no
<b>Connection cross-section</b>	1.5 mm <sup>2</sup>
<b>Dimension</b>	305 x 140 x 187 mm
<b>Drive shaft, length</b>	40.00 mm
<b>Drive type</b>	left
<b>Life expectancy mechanical</b>	1. Switch position: 30 mil. switching operations
<b>Minimum torque</b>	2.0 Nm
<b>Mounting hold spacing B</b>	285.0 mm
<b>Rotation direction monitoring</b>	no
<b>Switching element</b>	1-11. Switch position: BSE 67 12. Switch position: BES 517-110

**Range/Distance**

<b>Opening angle min.</b>	10°
---------------------------	-----

## Wiring Diagrams

